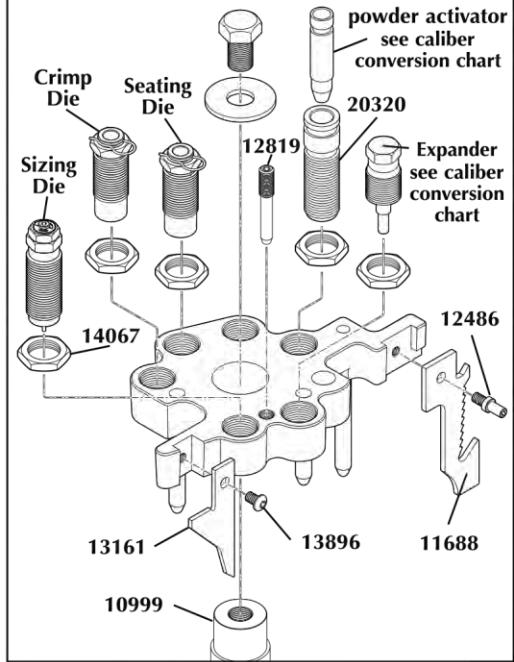


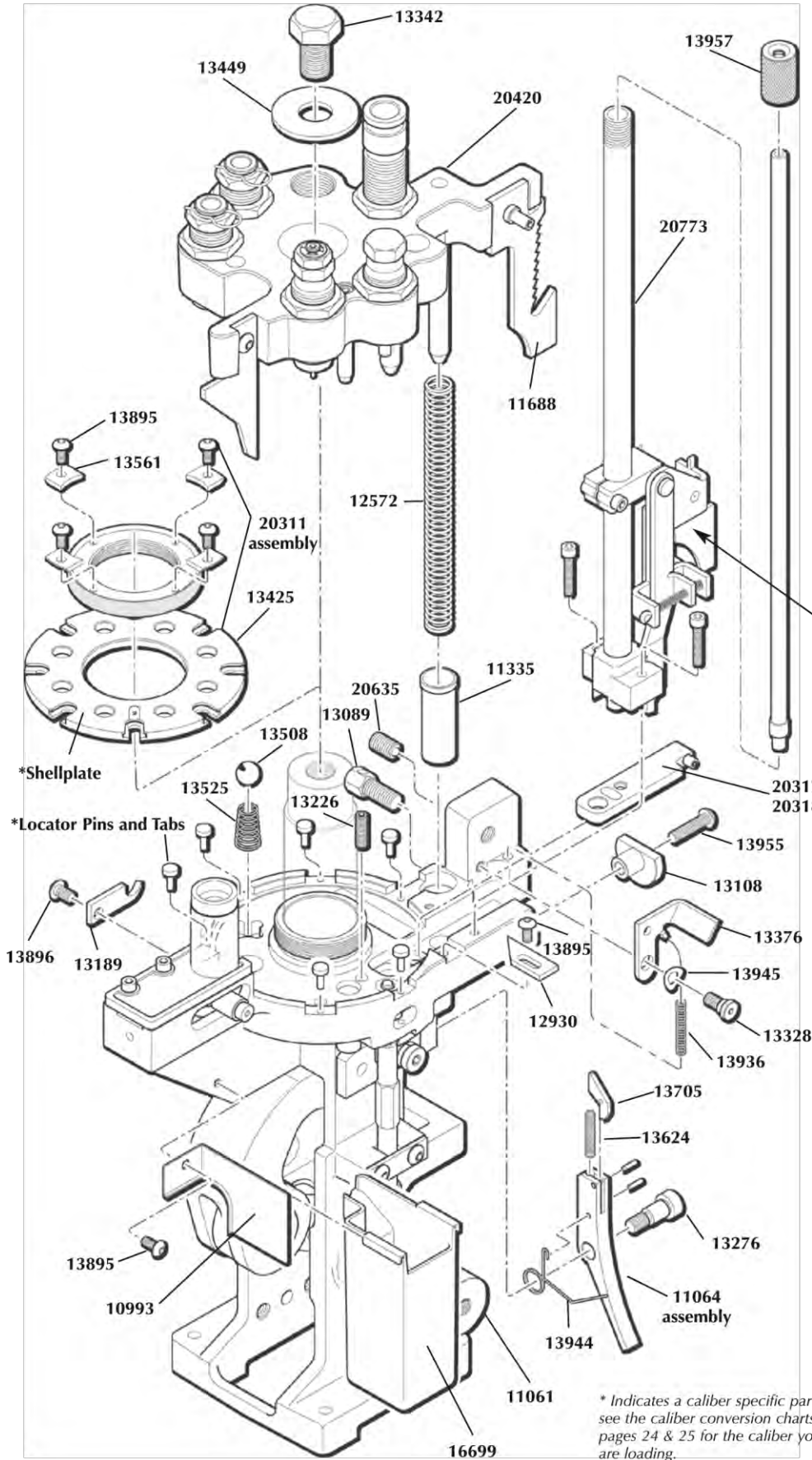
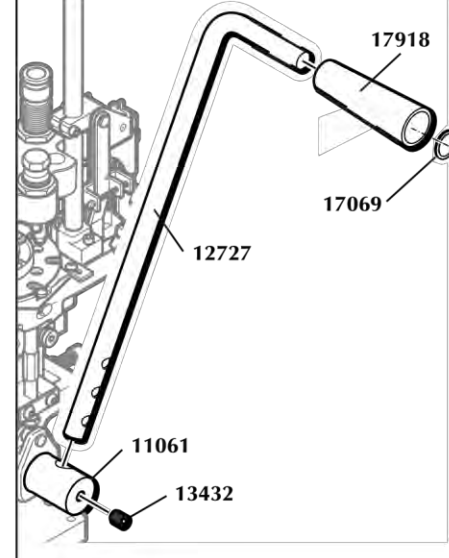
# Super 1050 Upper Machine Assembly

## #20420 - Toolhead Assembly



See page 29 for more detail.

## #17071 - Handle Assembly



\*Shellplate

\*Locator Pins and Tabs

\* Indicates a caliber specific part - see the caliber conversion charts on pages 24 & 25 for the caliber you are loading.