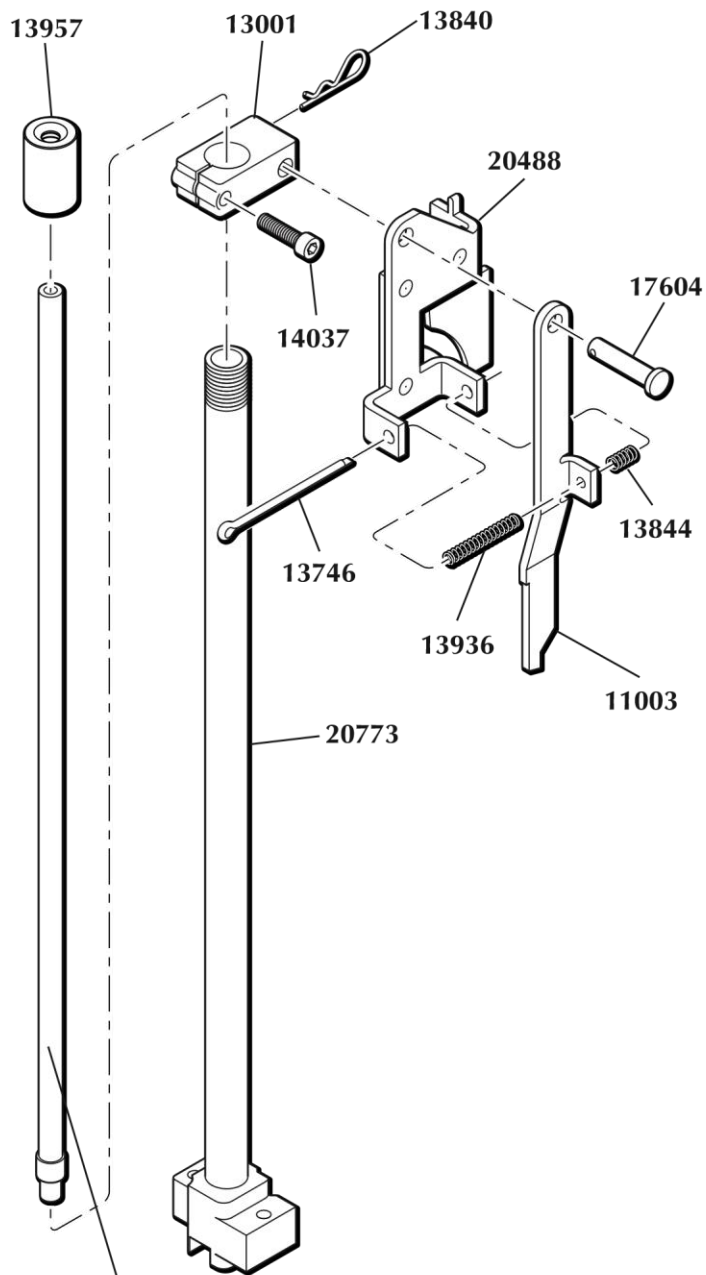


Primer System Assembly - #21108

Upper

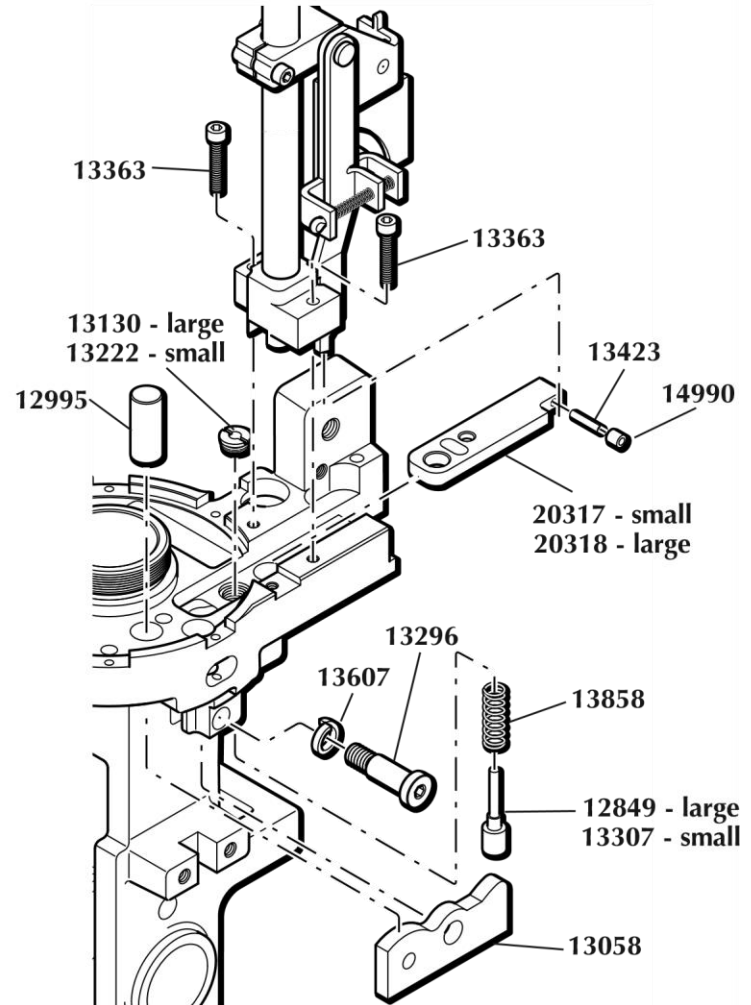


22030 - small
22031 - large

Upper Assembly

Stock	Description
13957	Magazine Shield Cap
20773	Primer Feed Body/Shield
22030	Primer Magazine Tube – Small
22031	Primer Magazine Tube – Large
21145	Primer Arm/Cam Assembly
11003	Slide Actuating Lever
13001	New Lever Arm Bracket
13746	Actuating Lever Cotter Pin
13840	Hair Pin Cotter
13844	Short Lever Spring
13936	Tab/Spring Arm Spring
14037	Clutch/Motor Bolt
17604	Bracket Pivot Pin

Lower



Lower Assembly

Stock	Description
12849	1050 Primer Punch – Large
12995	Primer System Tappet
13058	Primer System Rocker Arm
13130	Primer Punch Bushing – Large
13222	Primer Punch Bushing – Small
13296	Primer System Rocker Bolt
13307	1050 Primer Punch – Small
13363	Primer Magazine Socket Bolt
13607	Rocker Bolt Lock Washer
13858	Primer Punch Spring 1050
20317	Primer Slide Assembly – Small
13237	Primer Slide 1050 – Small
13423	Roll Pin – 1/8x5/8
14990	Slide Roll Pin Sleeve
20318	Primer Slide Assembly – Large
13105	Primer Slide 1050 – Large
13423	Roll Pin – 1/8x5/8
14990	Slide Roll Pin Sleeve