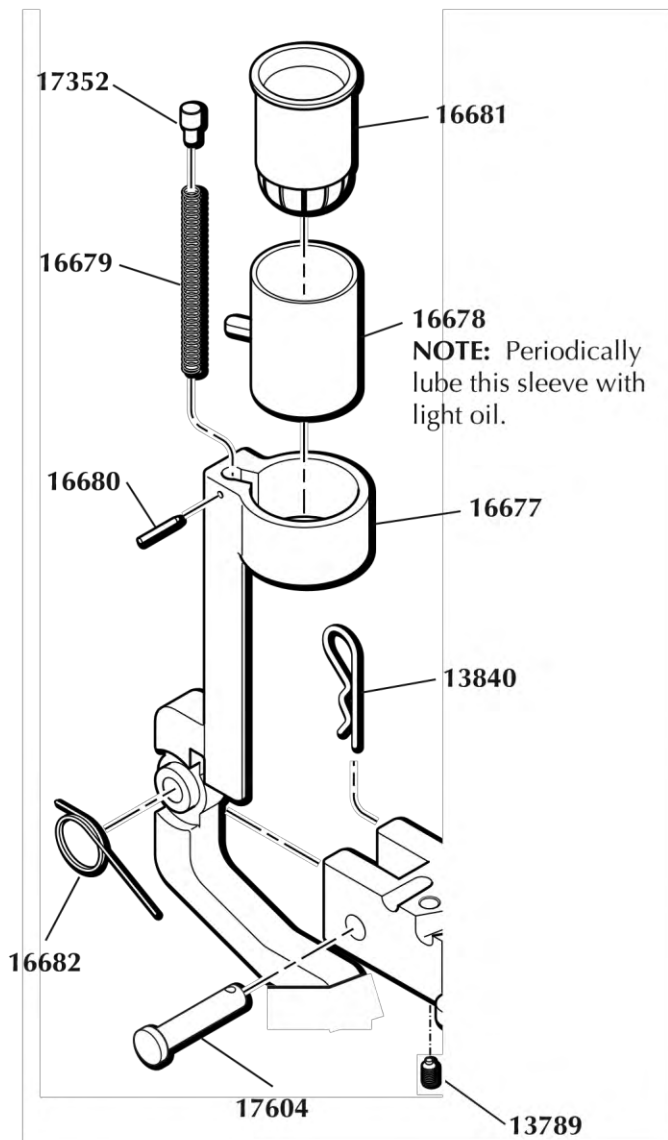


# Wad Guide/Swing Arm Assembly

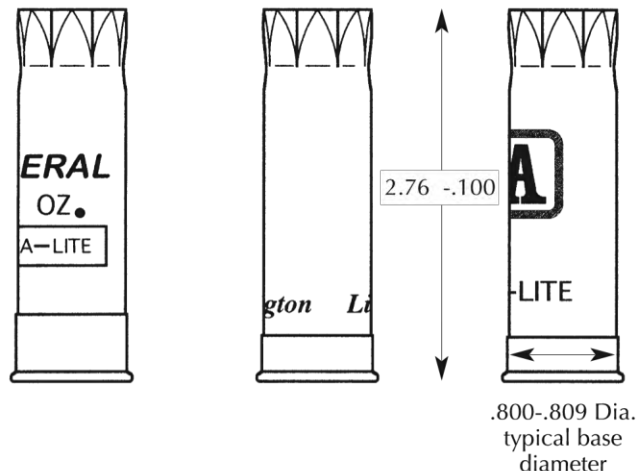
## #16802 - 12 gauge shown



Part #	Description
13789	1/4-28 Set Screw
13840	Hitch Pin Clip
16677	Wad Swing Arm
16678	Wad Guide Sleeve
16679	Sleeve Compression Spring
16680	1/16 x 1/2 Roll Pin
16681	Wad Guide
16682	Swing Arm Torsion Spring
17352	Spring Button
17604	Clevis Pin

# Finished Shotshell Dimensions

Here are some dimensions of a typical 12ga. shotshell. Always use a quality dial caliper when measuring your shotshells. Length may vary dependent upon shotshell manufacturer. Dimensions shown are for maximum, uncrimped overall length. If you find it necessary to adjust the collet size die, try to shoot for a middle of the road measure of the brass base.

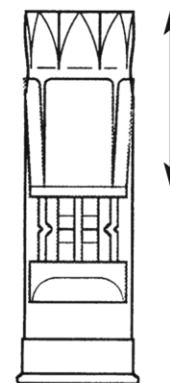


### Wad Seated Depth

When developing loads for shotshells be aware of your "wad seated depth." Here's a reference guide for the popular wad and shot weight used presently.

Wad & Shot	Approx. Depth
7/8 - 1 oz.	1.12 - 1.20
1 1/8 oz.	1.30 - 1.35
1 1/4 oz.	1.45 - 1.50

Example, if your loads currently use a wad for 1 1/8 oz. of shot and you decide to reduce your shot weight and switch to 7/8 of an ounce wads, readjust the shot dispenser tube via the body collar adjustment screw. Clockwise rotation raises the shot dispenser tube and decreases the depth the wad is seated into the shotshell. Counterclockwise rotation lowers the shot dispenser tube and the wad will get seated deeper into the shotshell.



### Finished Round Information

Your loaded round length will vary due to loads used, type of wads, and brand of shotshells.

We found that a majority of the Winchester ammo loaded fell toward 2.30 - 2.325 length.

The Remington and Federal ammo loaded measured 2.33 - 2.350 overall length.

Always use a reputable loading manual when reloading shotshells.

