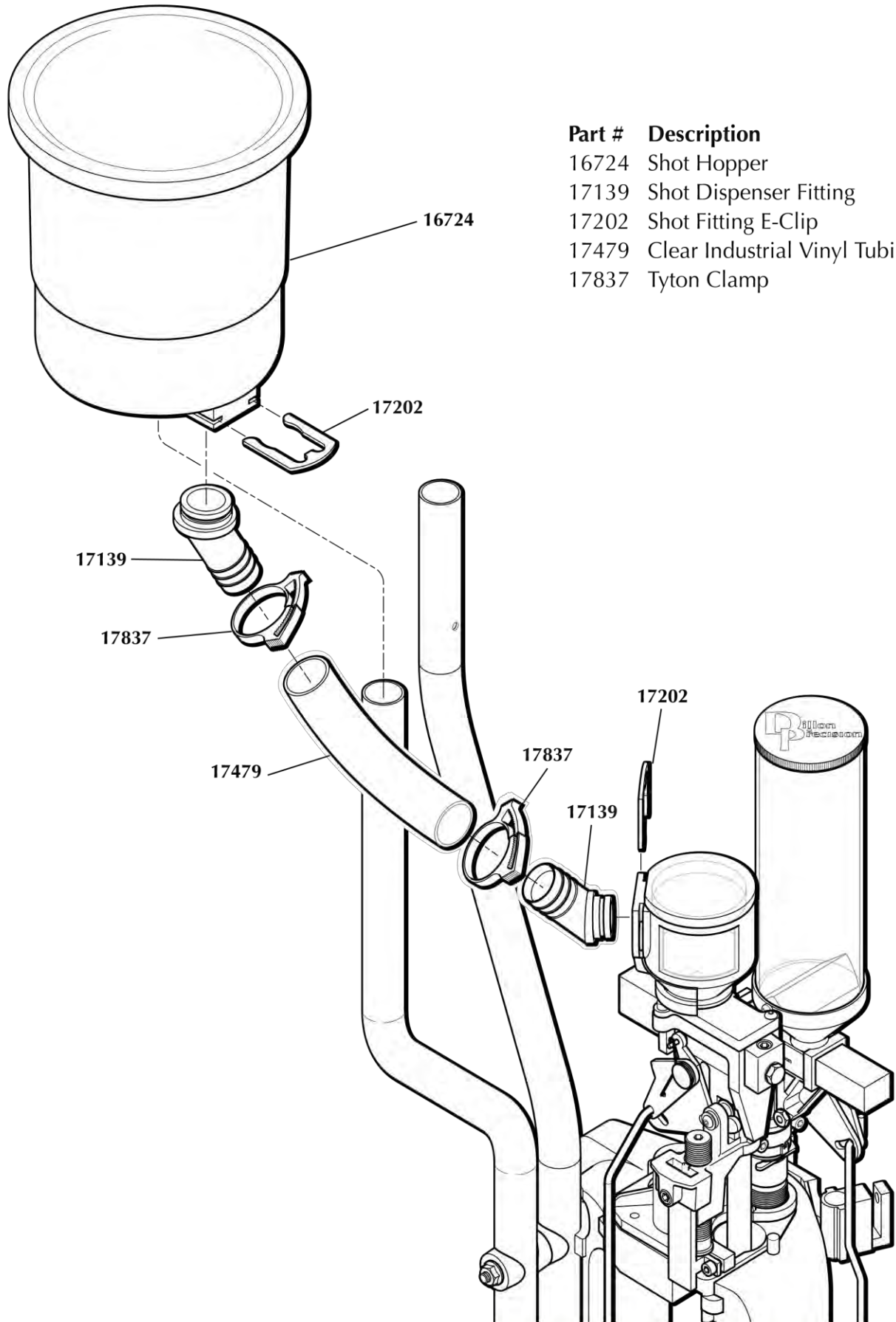


# Shot Container Assembly



Part #	Description
16724	Shot Hopper
17139	Shot Dispenser Fitting
17202	Shot Fitting E-Clip
17479	Clear Industrial Vinyl Tubing
17837	Tyton Clamp