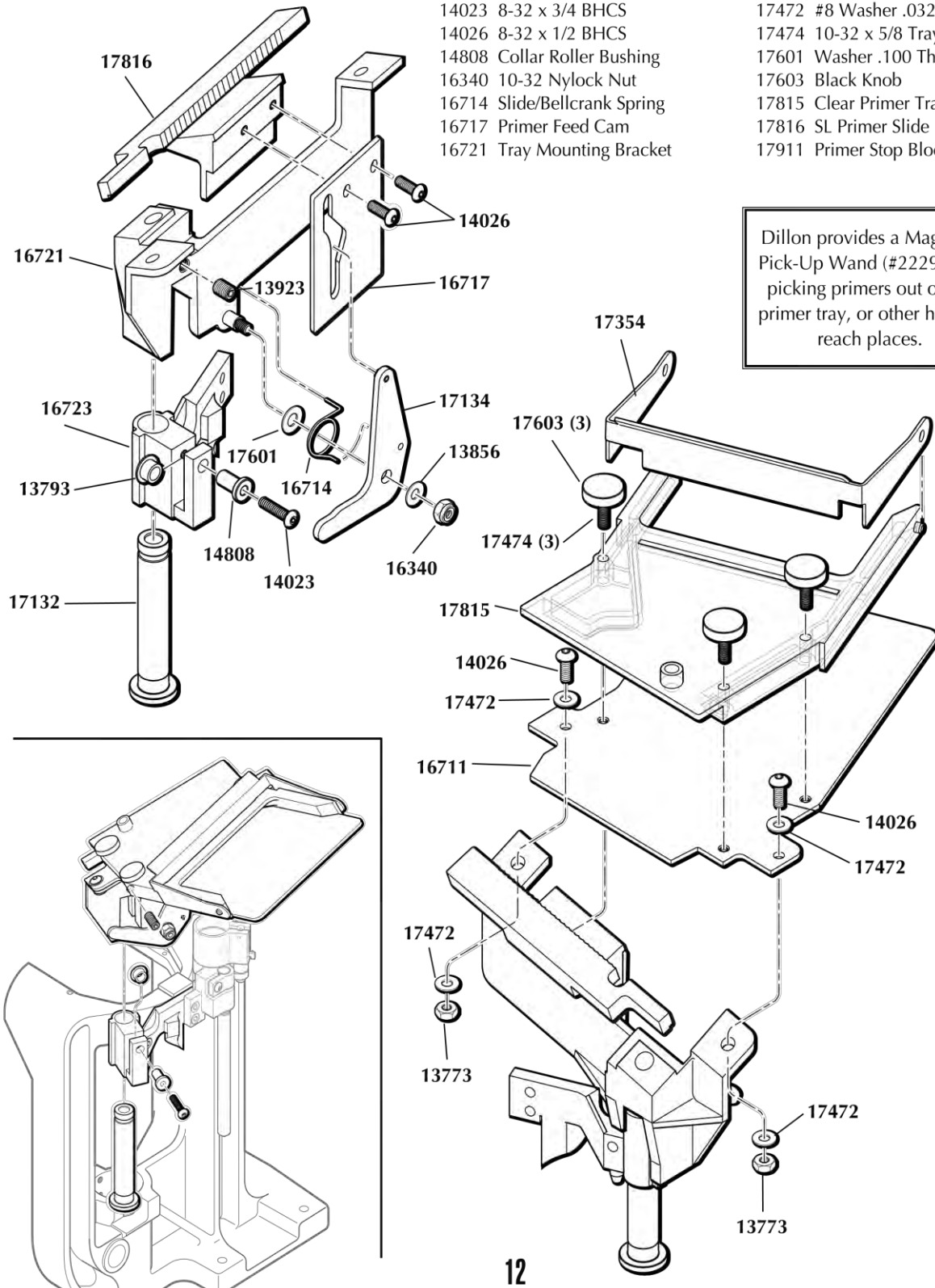


# Primer Feed System Assembly - #19201

Part #	Description
13773	8-32 Nut
13793	Collar Roller
13856	1/4 Washer SAE
13923	1/4-28 Brass Tip Set Screw
14023	8-32 x 3/4 BHCS
14026	8-32 x 1/2 BHCS
14808	Collar Roller Bushing
16340	10-32 Nylock Nut
16714	Slide/Bellcrank Spring
16717	Primer Feed Cam
16721	Tray Mounting Bracket

Part #	Description
16723	Primer Feed Body
17132	Primer Drop Tube
17134	Primer Bellcrank
17354	Gate 3
17472	#8 Washer .032 Thick
17474	10-32 x 5/8 Tray Cover Screw
17601	Washer .100 Thick
17603	Black Knob
17815	Clear Primer Tray Cover
17816	SL Primer Slide Upper
17911	Primer Stop Block (with flag)



Dillon provides a Magnetic Pick-Up Wand (#22292) for picking primers out of the primer tray, or other hard to reach places.