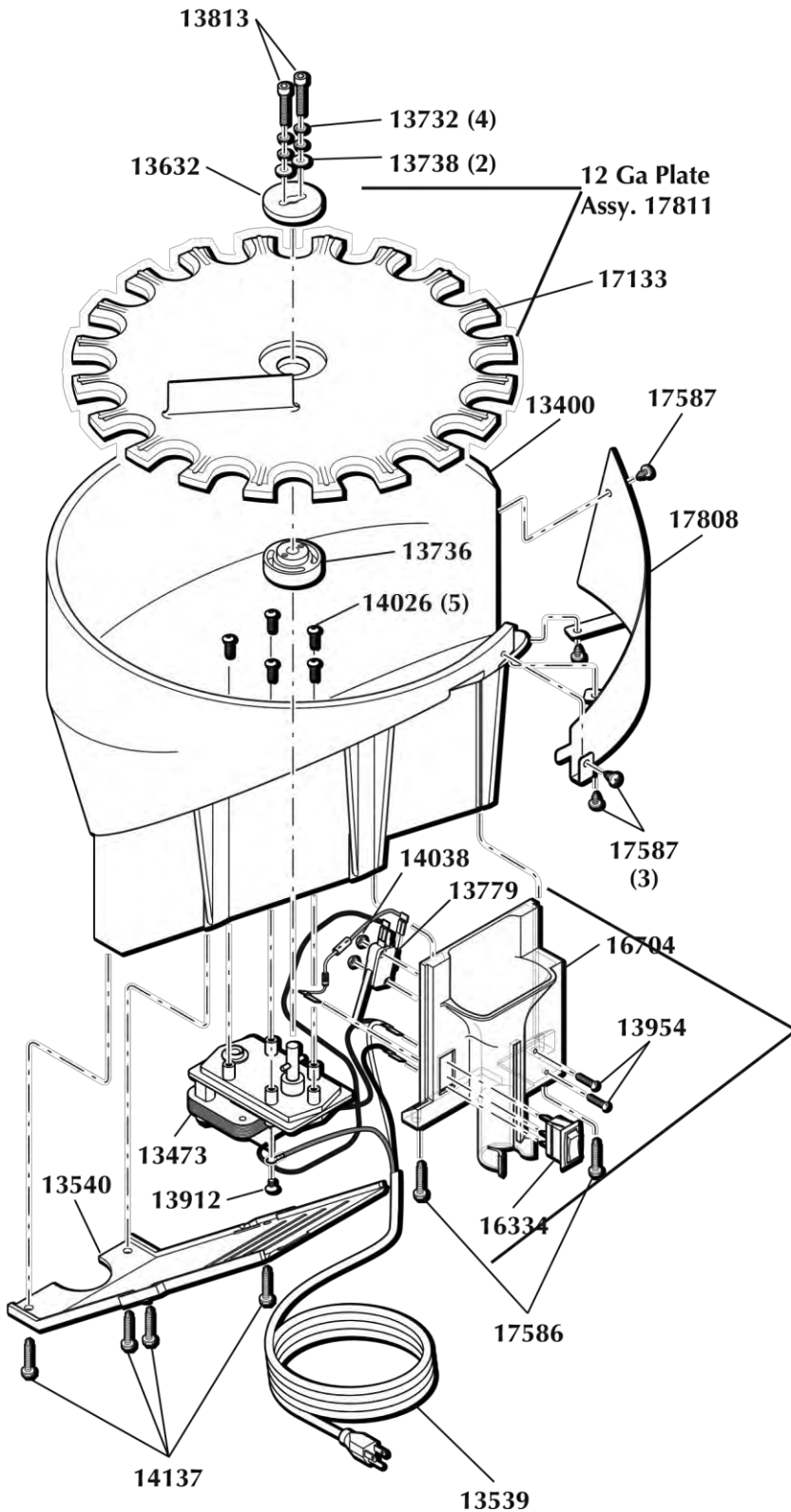


Casefeeder Assembly



Part #	Description
13400	Casefeed Bowl
13473	Casefeed Motor - 4 RPM
13539	Casefeed Cord Set
13540	Casefeed Motor Cover
13632	Casefeed Upper Disc Clutch
13685	1/4-20x5/8 BHCS
13732	10-32x1.00 SHCS
13736	Clutch
13738	SS Washers
13813	Lockwashers
13833	1/4 Terminal Connector
13903	1/4-20 Heli Coil
13912	8-32 Flat Head Screw
14025	1/8x3/4 Roll Pin
14026	Bowl/Motor Screws
14137	8x1 Cover Screw Zn.
16314	Butt. Connector
16336	Red 1/4 female Insulated Connector
16337	Blue 1/4 female Insulated Connector
17133	Shotshell Disc
17585	Zener Diode 1N5361B
17587	8x1/4 PHL. PN. Screws
17808	Casefeed Bowl Insert
97037	12 ga. Casefeed Assembly - 110v
97108	Shotshell Funnel Assembly

13779	Micro Switch
13954	4-40 Screws
14038	40-40 Nuts
16334	Lighted Rocker Switch
16704	Shotshell Funnel